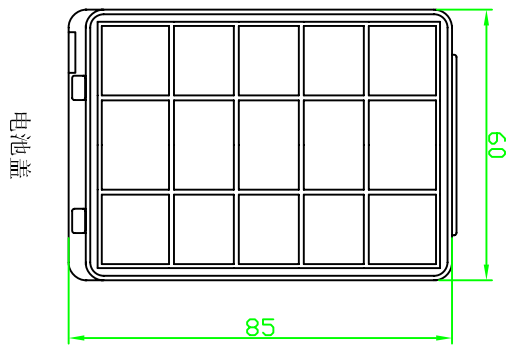
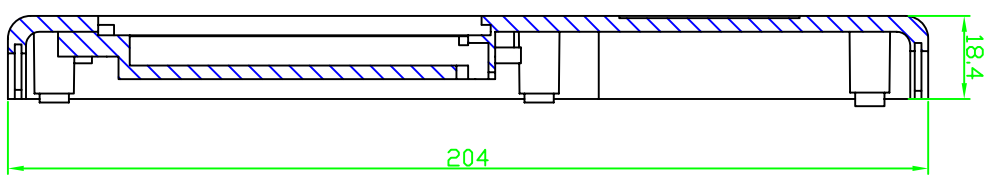
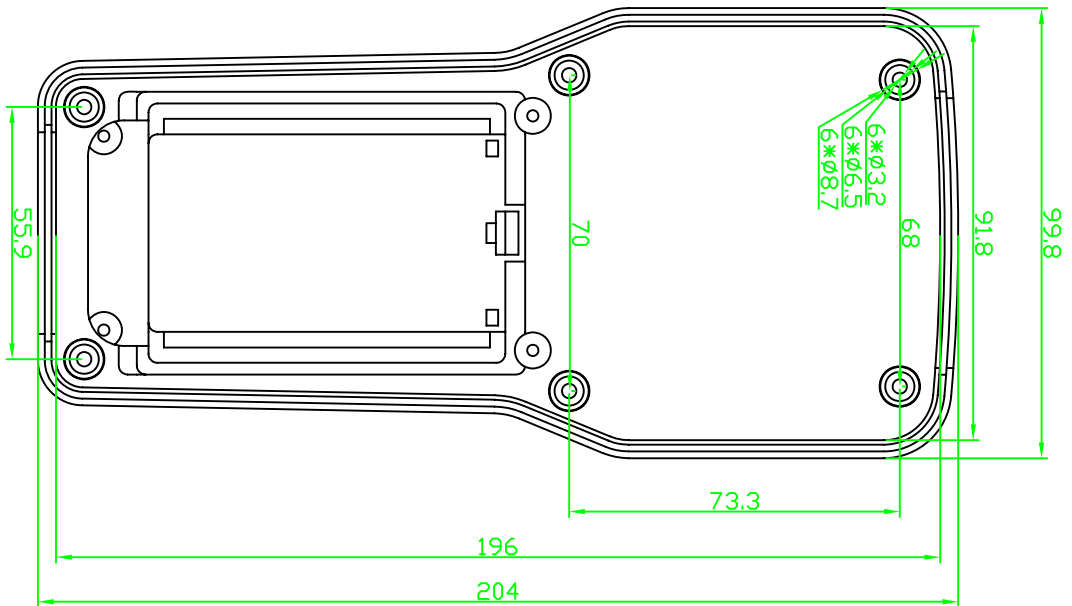


REVISION RECORD			
REV	ECD	DESCRIPTION	DRFT

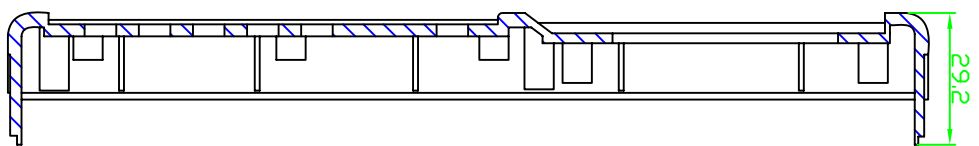
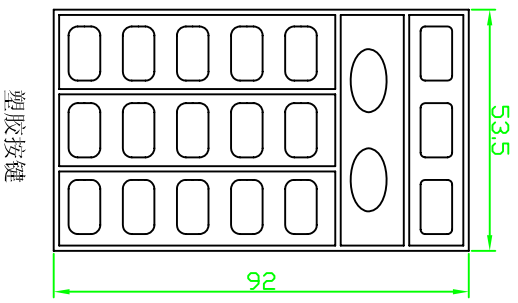
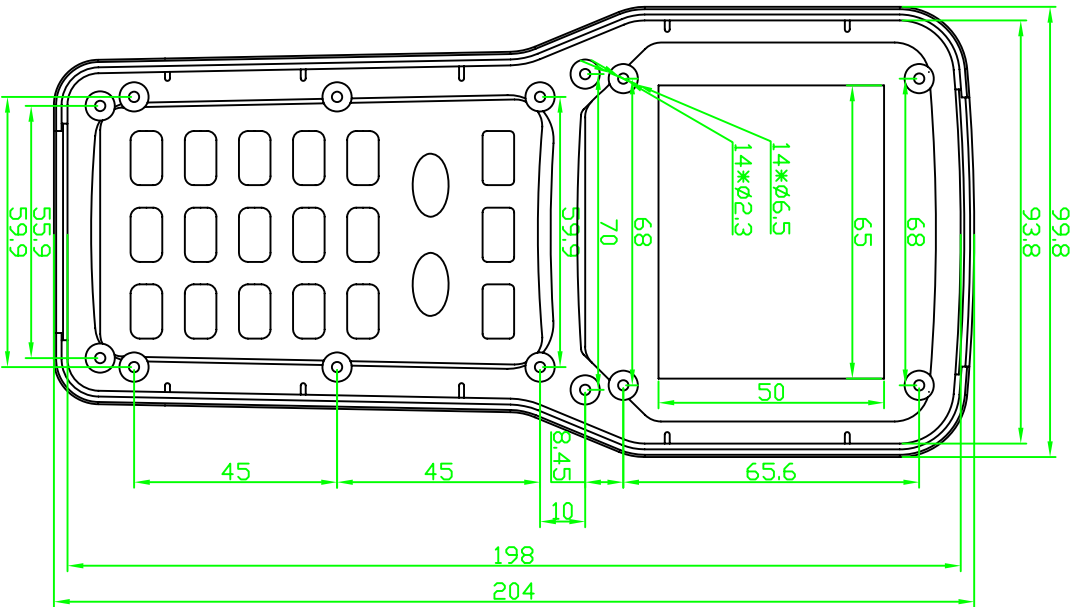


电池盖

DETACHED LISTS		TOLERANCES EXCEPT AS NOTED		DATE	
MM	± 0.3	MM	± 0.3	DATE	
MM	± 0.2	MM	± 0.2	DATE	
MM	± 0.1	MM	± 0.1	DATE	
ANGLES ± 5°		FINISH:		MATERIAL: ABS	
FIRST ANGLE PROJECTION		SCALE: 1:1		TITLE: PH033	
DRAWING NO. PH033		DRAWING NO. PH033		DRAWING NO. PH033	
/PART NO. 00		/PART NO. 00		/PART NO. 00	
SIZE A4		SIZE A4		SIZE A4	
REV		REV		REV	
SHEET 1		SHEET 1		SHEET 1	
OF 1		OF 1		OF 1	

埃弗勒斯 EVEREST
WWW.EVERESTCASE.COM

REVISION RECORD			
REV	ECD	DESCRIPTION	DRFT



DETACHED LISTS																																	
<table border="1"> <tr> <td>MM</td> <td>INCHES</td> </tr> <tr> <td>0 ± 0.3</td> <td></td> </tr> <tr> <td>.00 ± 0.2</td> <td></td> </tr> <tr> <td>0.00 ± 0.1</td> <td></td> </tr> </table>	MM	INCHES	0 ± 0.3		.00 ± 0.2		0.00 ± 0.1		<table border="1"> <tr> <td>MM</td> <td>INCHES</td> </tr> <tr> <td>±</td> <td></td> </tr> <tr> <td>±</td> <td></td> </tr> </table>	MM	INCHES	±		±		<table border="1"> <tr> <td>DRFTD</td> <td>DATE</td> </tr> <tr> <td>CHKD</td> <td>DATE</td> </tr> <tr> <td>MFD</td> <td>DATE</td> </tr> <tr> <td>APPL</td> <td>DATE</td> </tr> </table>	DRFTD	DATE	CHKD	DATE	MFD	DATE	APPL	DATE	<table border="1"> <tr> <td>DRFTD</td> <td>DATE</td> </tr> <tr> <td>CHKD</td> <td>DATE</td> </tr> <tr> <td>MFD</td> <td>DATE</td> </tr> <tr> <td>APPL</td> <td>DATE</td> </tr> </table>	DRFTD	DATE	CHKD	DATE	MFD	DATE	APPL	DATE
MM	INCHES																																
0 ± 0.3																																	
.00 ± 0.2																																	
0.00 ± 0.1																																	
MM	INCHES																																
±																																	
±																																	
DRFTD	DATE																																
CHKD	DATE																																
MFD	DATE																																
APPL	DATE																																
DRFTD	DATE																																
CHKD	DATE																																
MFD	DATE																																
APPL	DATE																																
ANGLES ± 5°		MATERIAL: ABS																															
FINISH:		QTY: 1																															
SCALE: 1:1		TITLE: PH033																															
DD NOT SCALE DRAWING		DRAWING NO. PH033																															
SHEET 1 OF 1		/PART NO. 00																															
SIZE A4		REV																															


EVEREST
 WWW.EVERESTCASE.COM