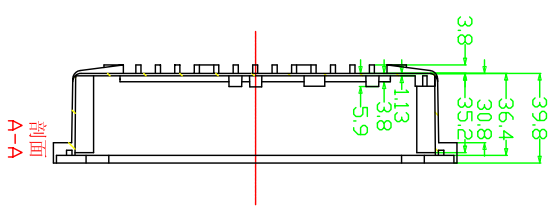
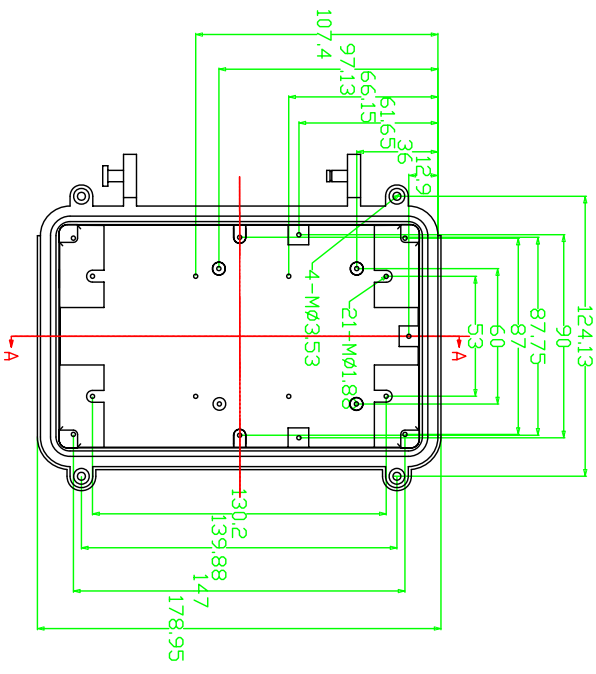
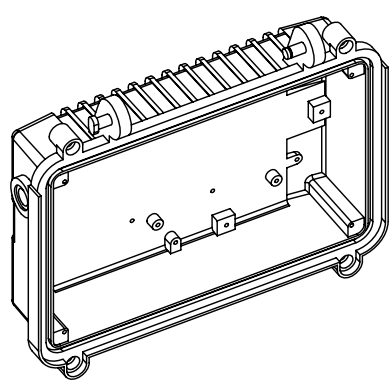
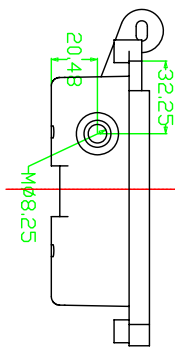


REVISION RECORD			
REV	ECD	DESCRIPTION	DRFT
			CHKD



DETACHED LISTS			
MM (INCH)	MM	MM	MM
ANGLES ± 5°	±	±	±
TOLERANCES EXCEPT AS NOTED	±	±	±
0.0 ± 0.3	±	±	±
0.00 ± 0.02	±	±	±
0.00 ± 0.1	±	±	±
DRFTD	DATE	DATE	DATE
CHKD	DATE	DATE	DATE
MFD	DATE	DATE	DATE
APPLY	DATE	DATE	DATE
MATERIAL: AL			
QTY: 1			
FINISH:			
SCALE: 1:3			
FIRST ANGLE PROJECTION			

**埃弗勒斯**  
EVEREST  
WWW.EVERESTCASE.COM

TITLE  
**AAP006B**

DRAWING NO. AAP006B  
/PART NO. 00  
SIZE A4  
REV  
D0 NOT SCALE DRAWING  
SHEET 1 OF 1

