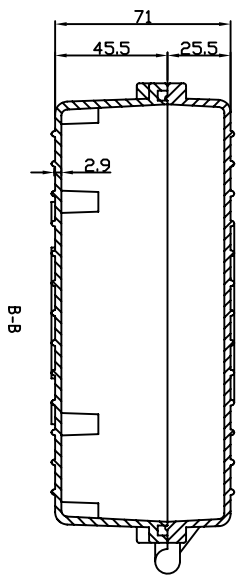
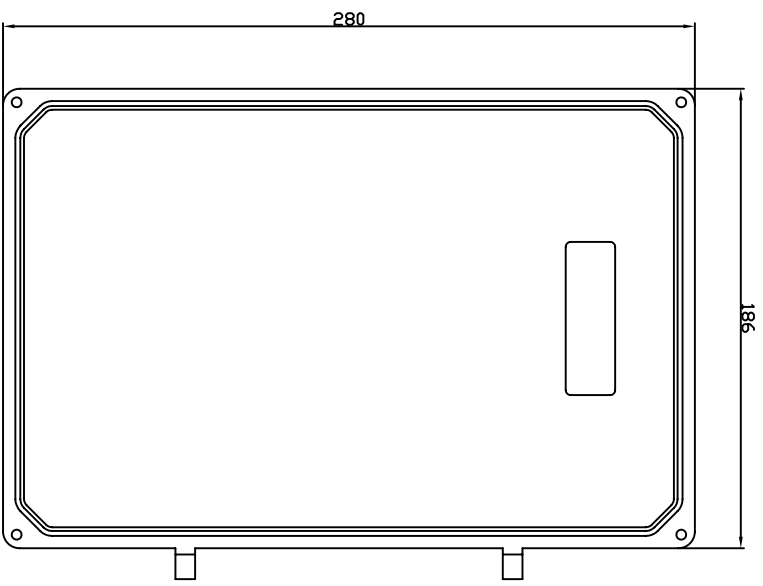
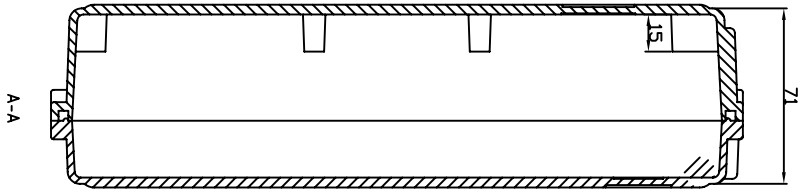
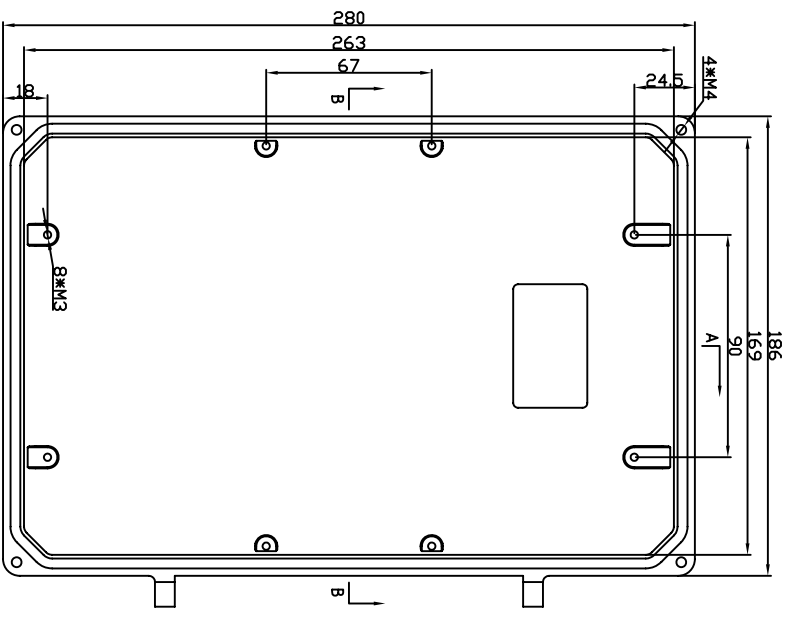


REVISION RECORD				
REV	ECD	DESCRIPTION	DRFT	CHKD



DETACHED LISTS																					
<table border="1"> <tr> <td>MM (INCH)</td> <td>MM</td> </tr> <tr> <td>TOLERANCES EXCEPT AS NOTED</td> <td></td> </tr> <tr> <td>MM</td> <td>±</td> </tr> <tr> <td>0 ± 0.3</td> <td>±</td> </tr> <tr> <td>.00 ± 0.02</td> <td>±</td> </tr> <tr> <td>0.00 ± 0.01</td> <td>±</td> </tr> </table>	MM (INCH)	MM	TOLERANCES EXCEPT AS NOTED		MM	±	0 ± 0.3	±	.00 ± 0.02	±	0.00 ± 0.01	±	<table border="1"> <tr> <td>DRFTD</td> <td>DATE</td> </tr> <tr> <td>CHKD</td> <td>DATE</td> </tr> <tr> <td>MFD</td> <td>DATE</td> </tr> <tr> <td>APPVL</td> <td>DATE</td> </tr> </table>	DRFTD	DATE	CHKD	DATE	MFD	DATE	APPVL	DATE
MM (INCH)	MM																				
TOLERANCES EXCEPT AS NOTED																					
MM	±																				
0 ± 0.3	±																				
.00 ± 0.02	±																				
0.00 ± 0.01	±																				
DRFTD	DATE																				
CHKD	DATE																				
MFD	DATE																				
APPVL	DATE																				
<table border="1"> <tr> <td>ANGLES ± 5°</td> <td>±</td> </tr> </table>	ANGLES ± 5°	±	<table border="1"> <tr> <td>QT'Y</td> <td>1</td> </tr> <tr> <td>MATERIAL</td> <td>AL</td> </tr> </table>	QT'Y	1	MATERIAL	AL														
ANGLES ± 5°	±																				
QT'Y	1																				
MATERIAL	AL																				
<table border="1"> <tr> <td>FINISH</td> <td></td> </tr> <tr> <td>SCALE</td> <td>1:1</td> </tr> </table>	FINISH		SCALE	1:1	<table border="1"> <tr> <td>DRAWING NO.</td> <td>AW001</td> </tr> <tr> <td>PART NO.</td> <td>00</td> </tr> </table>	DRAWING NO.	AW001	PART NO.	00												
FINISH																					
SCALE	1:1																				
DRAWING NO.	AW001																				
PART NO.	00																				
<p>埃弗勒斯 EVEREST WWW.EVERESTCASE.COM</p>																					
<p>TITLE AW001</p>																					
<table border="1"> <tr> <td>SIZE</td> <td>A4</td> </tr> <tr> <td>REV</td> <td></td> </tr> </table>	SIZE	A4	REV		<table border="1"> <tr> <td>DID NOT SCALE DRAWING</td> <td>SHEET 1</td> <td>OF 1</td> </tr> </table>	DID NOT SCALE DRAWING	SHEET 1	OF 1													
SIZE	A4																				
REV																					
DID NOT SCALE DRAWING	SHEET 1	OF 1																			