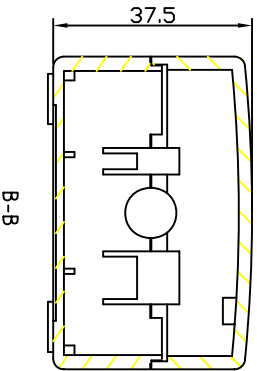
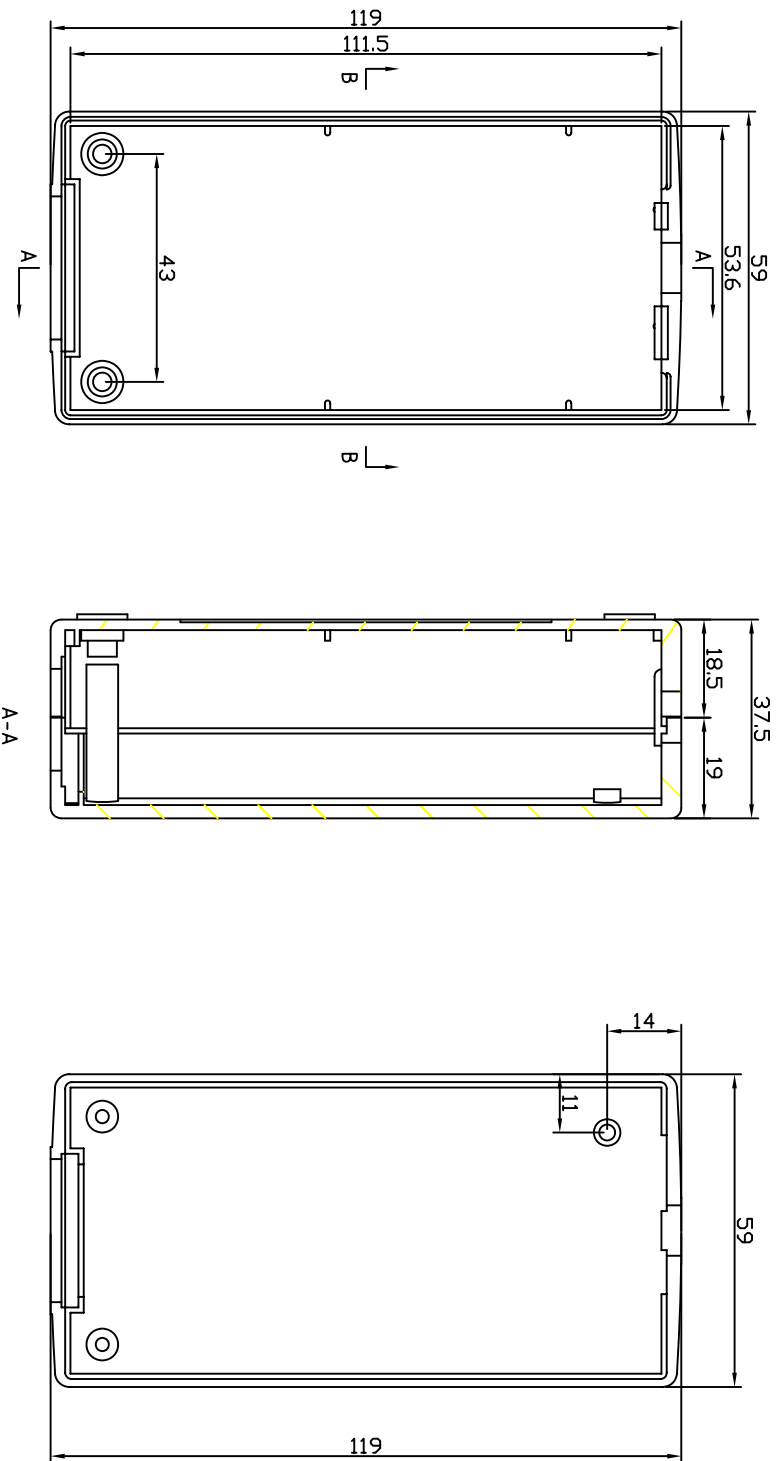


REVISION RECORD				
REV	ECD	DESCRIPTION	DRFT	CHKD



DETACHED LISTS		DR/TD	DATE
MM	(INCH)	CHKD	DATE
TOLERANCES EXCEPT AS NOTED			
MM		WFO	DATE
0 ± 0.3		APPL	DATE
.00 ± 0.02			
.000 ± 0.01			
ANGLES ± 5°		MATERIAL: ABS	
FIRST ANGLE PROJECTION		QTY: 1	
SCALE: 1:1		FINISH:	
DID NOT SCALE DRAWING		DRAWING NO. PC016	
SHEET X		/PART NO. 00	
OF Y		SIZE A4	
		REV	

埃弗勒斯 EVEREST
WWW.EVERESTCASE.COM

TITLE
PC016