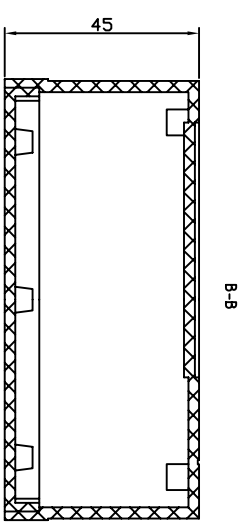
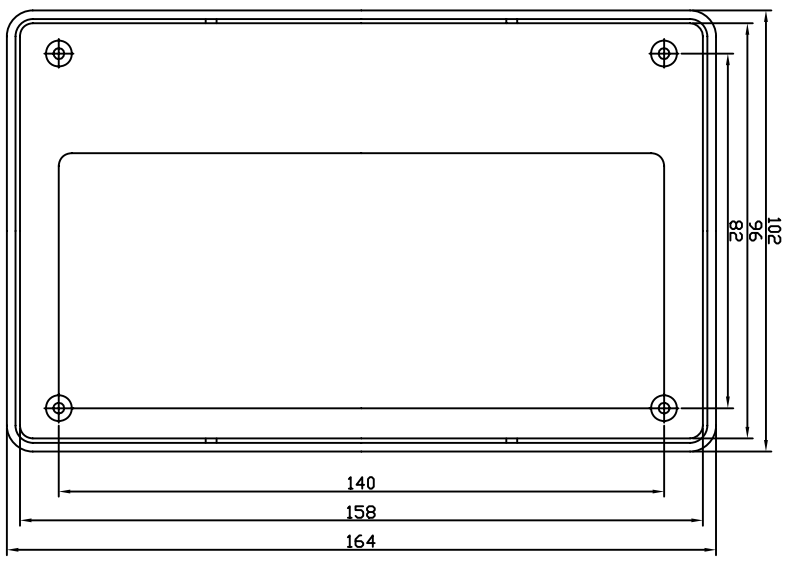
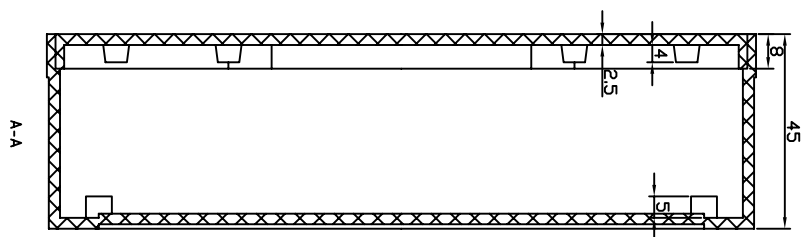
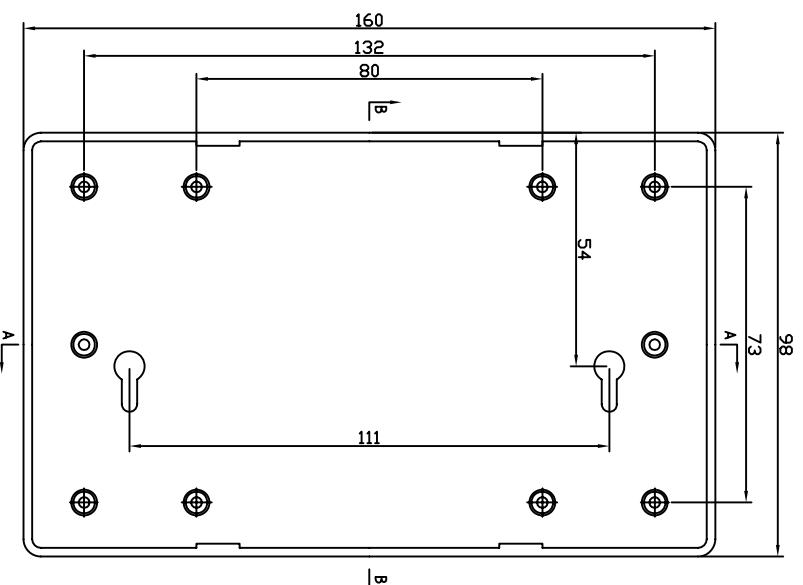


REVISION RECORD				
REV	ECD	DESCRIPTION	DRFT	CHKD



TOLERANCES EXCEPT AS NOTED		DETACHED LISTS	
MM	(INCH)	DATE	DATE
0.1 ± 0.3		CHKD	DATE
0.01 ± 0.02		MFD	DATE
0.00 ± 0.01		APV/L	DATE
ANGLES ± 5°		MATERIAL: ABS	
THIRD ANGLE PROJECTION		QTY: 1	
SCALE: 1:1		FINISH:	
DRAWING NO. PC037		TITLE	
/PART NO. 00		PC037	
DID NOT SCALE DRAWING		DRAWING NO. PC037	
SHEET 1 OF 1		/PART NO. 00	
		SIZE A4	
		REV	

埃弗勒斯
EVEREST
WWW.EVERESTCASE.COM