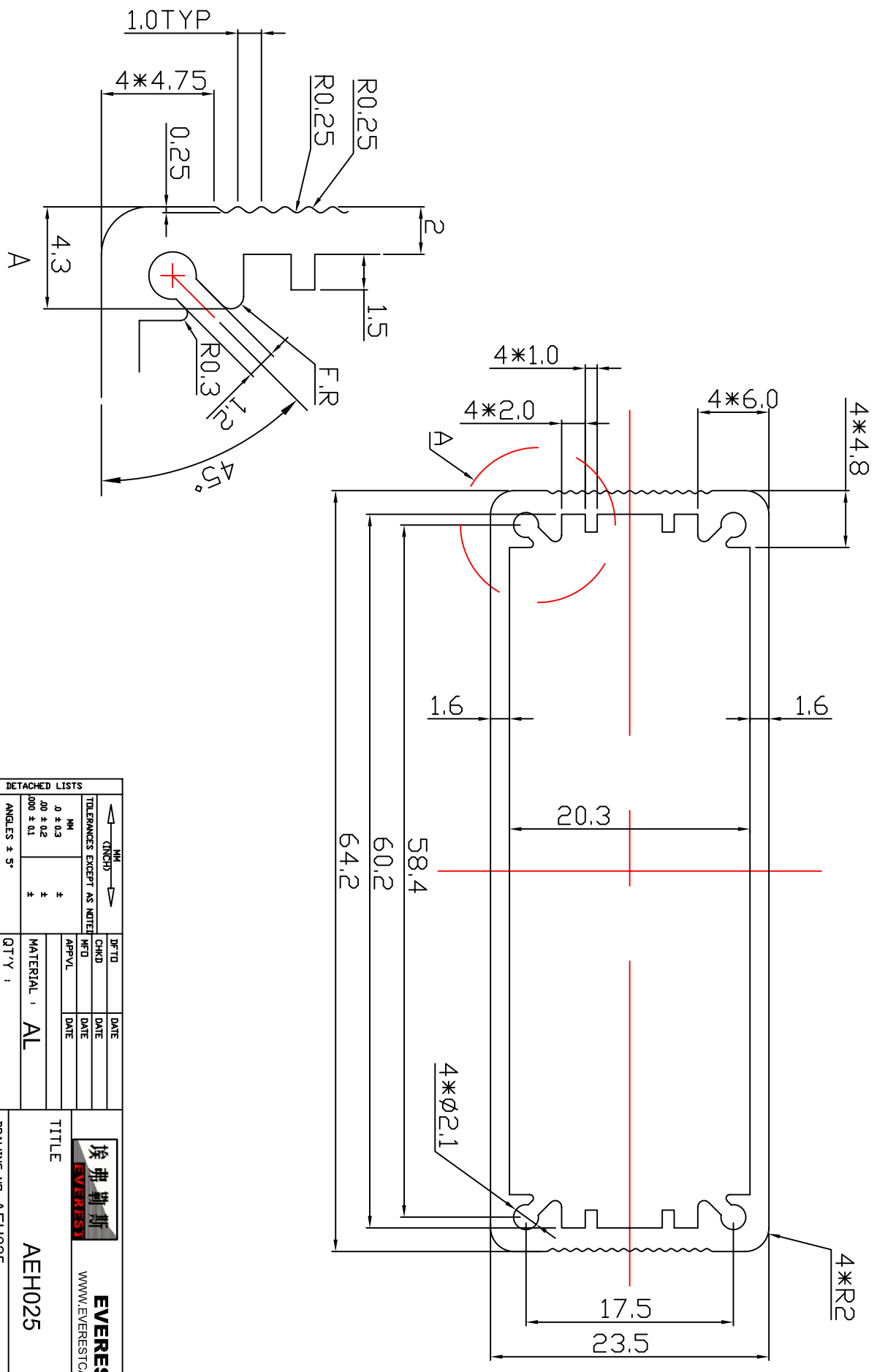


REVISION RECORD				
REV	ECD	DESCRIPTION	DRFT	CHKD



DETACHED LISTS		DATE	
DRFTD	DATE	CHKD	DATE
WFO	DATE	APPL	DATE
MATERIAL: AL		FINISH: QT'Y 1	
TITLE: AEH025		DRAWING NO. AEH025	
DRAWING NO. AEH025		/PART NO. 00	
DID NOT SCALE DRAWING		SHEET 1 OF 1	

埃弗斯
EVEREST
 WWW.EVERESTCASE.COM

TOLERANCES EXCEPT AS NOTED:
 MM: 0 ± 0.3, .01 ± 0.2, .000 ± 0.1
 ANGLES ± 5°
 THIRD ANGLE PROJECTION
 SCALE: 1:1