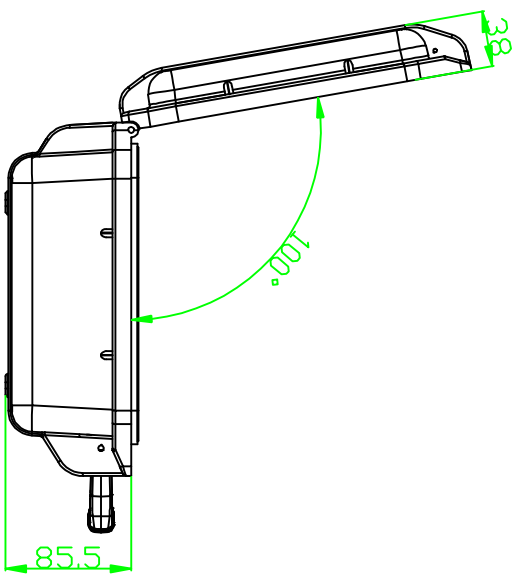
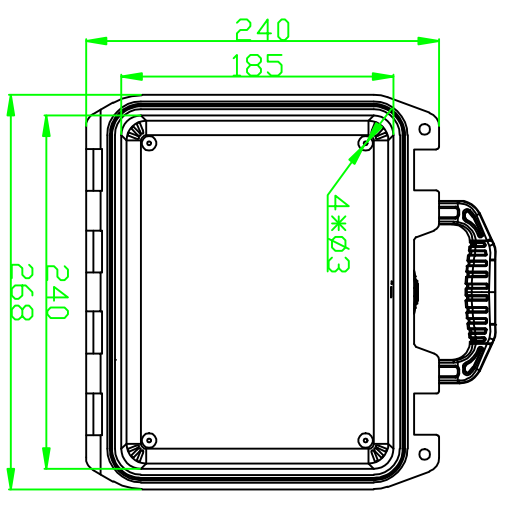
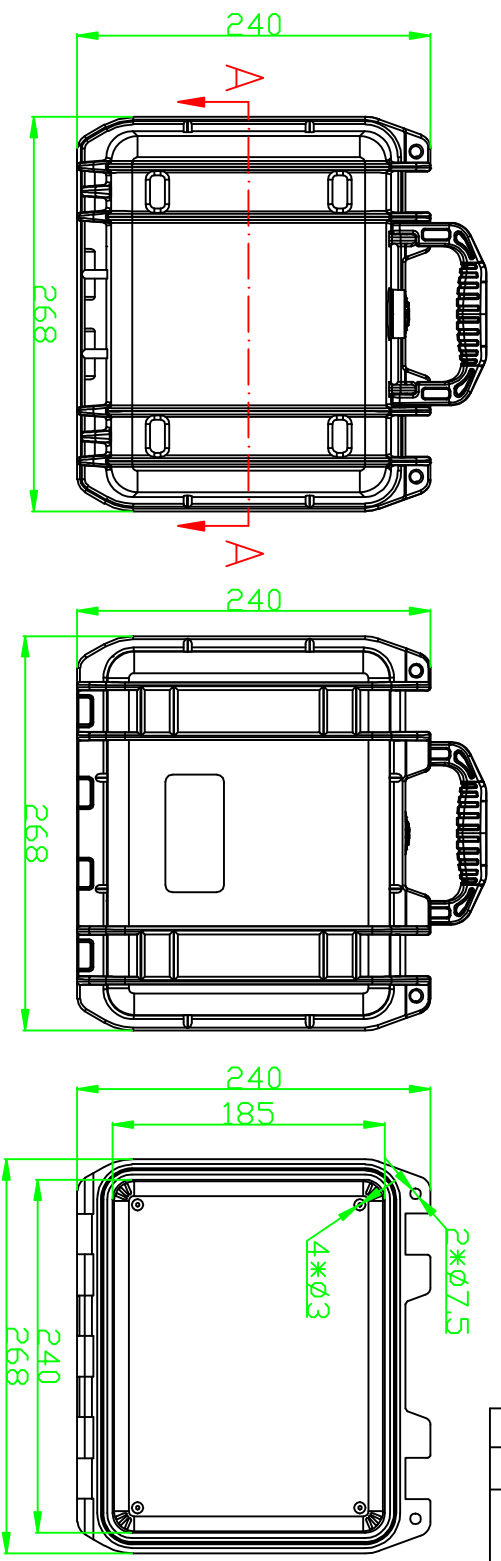


REVISION RECORD				
REV	ECD	DESCRIPTION	DRFT	CHKD



DETACHED LISTS		MM	INCHES
TOLERANCES EXCEPT AS NOTED	DRAWN	NAME	DATE
ALL TOLERANCES IT13	Checked	Kent	09/02/2016
FORM TOLERANCES +/- 0.5mm	ENG APPR		
CNC TOLERANCES +/- 0.3mm	MATERIAL	PP	
FIRST ANGLE PROJECTION	QTY		
	FINISH		
	SCALE	1:1	
TITLE		DRX EVEREST	
RPC1112		WWW.EVERESTCASE.COM	
DRAWING NO.	RPC1112	DRAWING NO.	RPC1112
/PART NO.	00	/PART NO.	00
SIZE	A4	SIZE	A4
REV		REV	
SHEET	1	SHEET	1
OF	1	OF	1