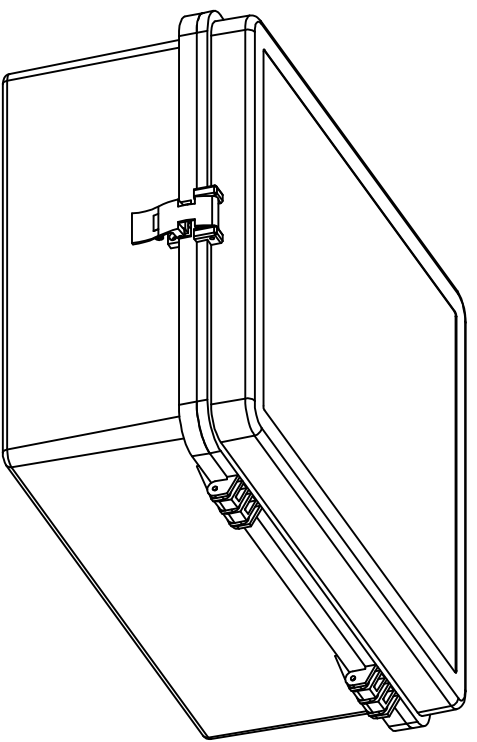
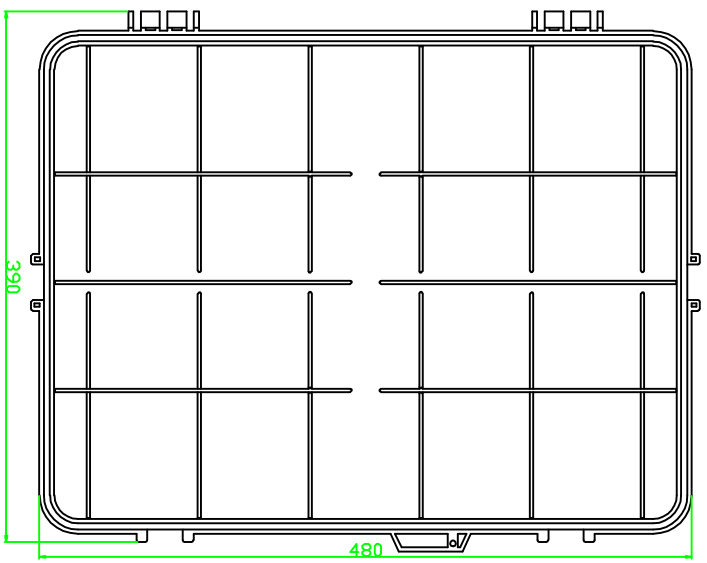
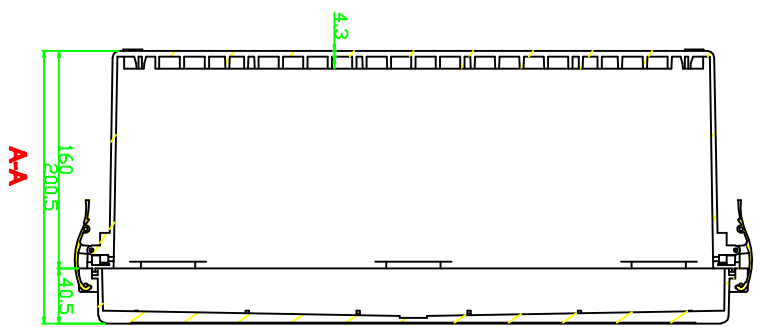
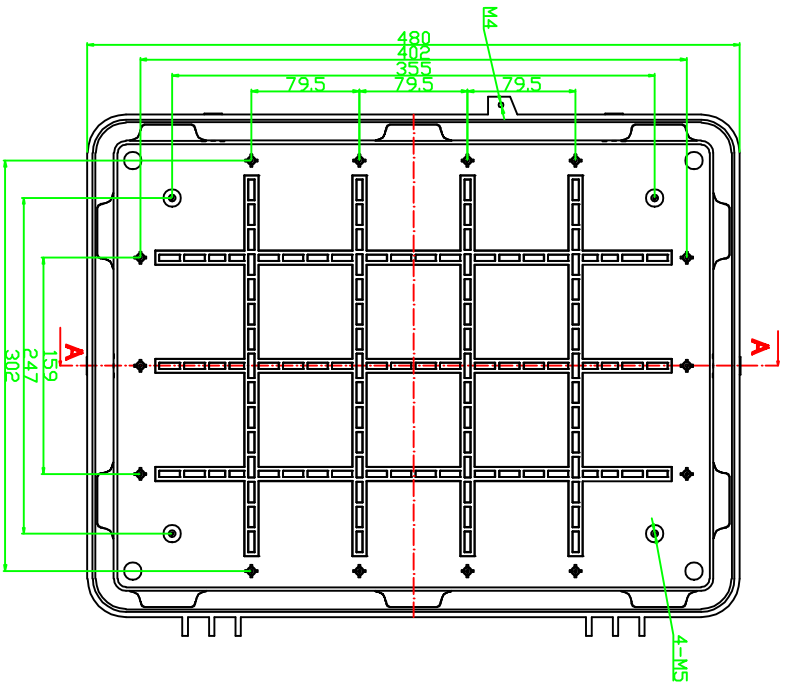


REVISION RECORD				
REV	ECO	DESCRIPTION	DRFT	CHKD



DETACHED LISTS		MM	(INCH)
TOLERANCES EXCEPT AS NOTED	MM	±	±
	0 ± 0.3	±	±
	.00 ± 0.02	±	±
	.000 ± 0.01	±	±
ANGLES ± 5°			
FIRST ANGLE PROJECTION			
DRAWN	NAME	DATE	
CHECKED	KAWIN	03/11/2019	
ENG APPR			
MATERIAL	ABS		
QTY	1		
FINISH			
SCALE	1:1		
TITLE			
埃弗勒斯			
EVEREST			
WWW.EVERESTCASE.COM			
DRAWING NO.	PW017		
/PART NO.	00		
SIZE	A4		
REV			
DID NOT SCALE DRAWING			
SHEET	1		OF 1