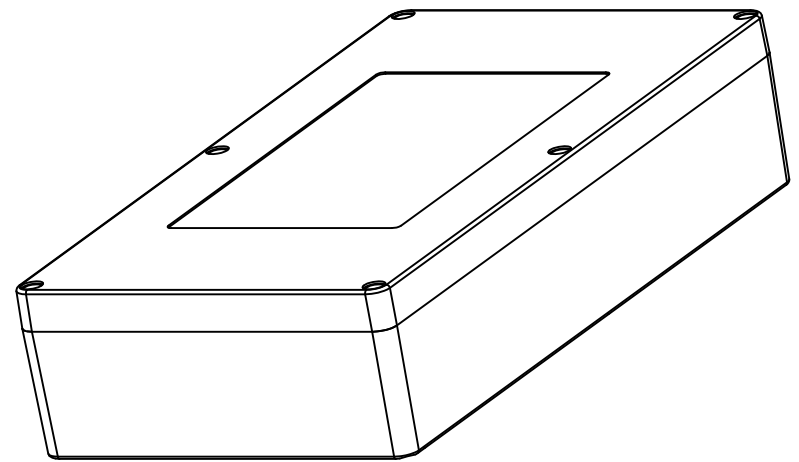
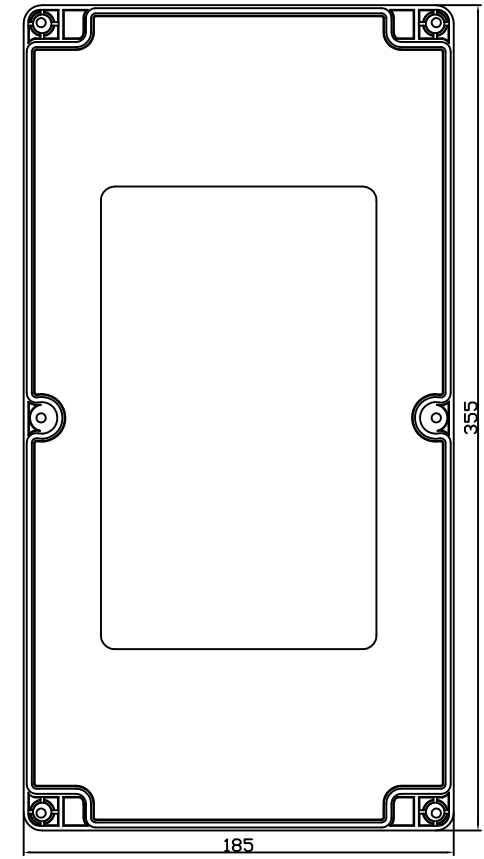
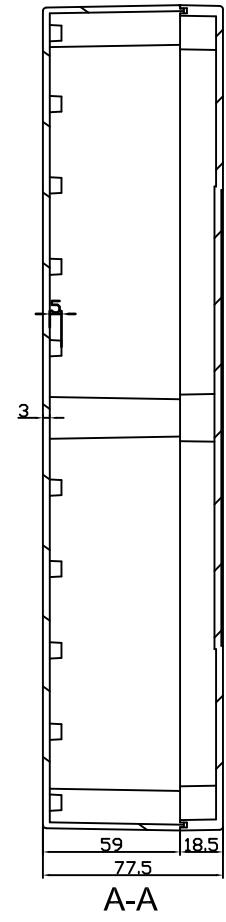
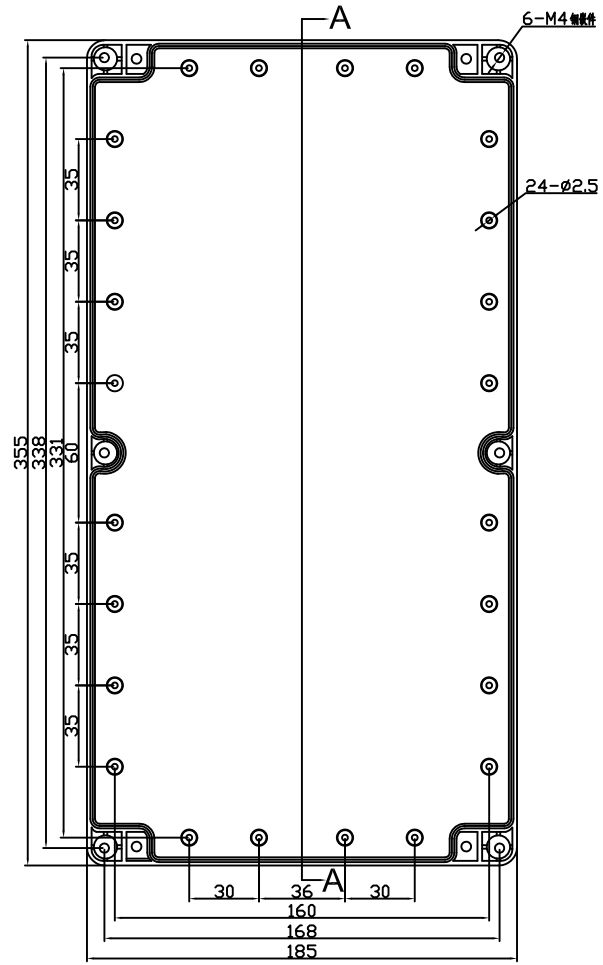


REVISION RECORD				
REV	ECD	DESCRIPTION	DRFT	CHKD



DETACHED LISTS			DRAWN	NAME	DATE	 <b>EVEREST</b> WWW.EVERESTCASE.COM	TITLE		
	TOLERANCES EXCEPT AS NOTED		CHECKED	Kelvin	02/05/2015		PW123		
	MM	±	ENG APPR.				DRAWING NO. PW123		
	.0 ± 0.3	±					/PART NO. 00		
.00 ± 0.2	±	MATERIAL : ABS			DRAWING NO. PW123			SIZE	REV
.000 ± 0.1	±	QT'Y :			DRAWING NO. PW123			A4	
ANGLES ± 5°		FINISH:			DRAWING NO. PW123			DO NOT SCALE DRAWING	
 FIRST ANGLE PROJECTION		SCALE : 1:1			DRAWING NO. PW123			SHEET 1 OF 1	