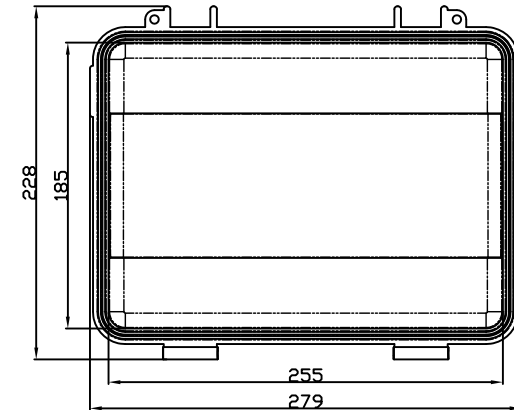
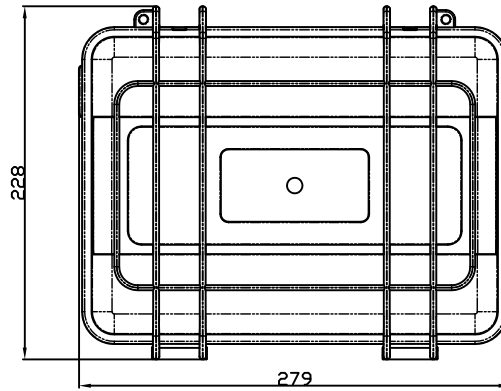
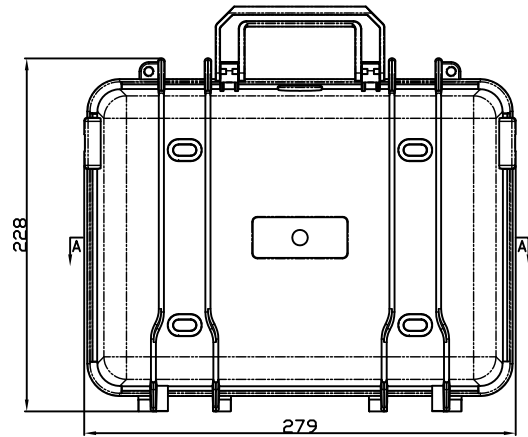
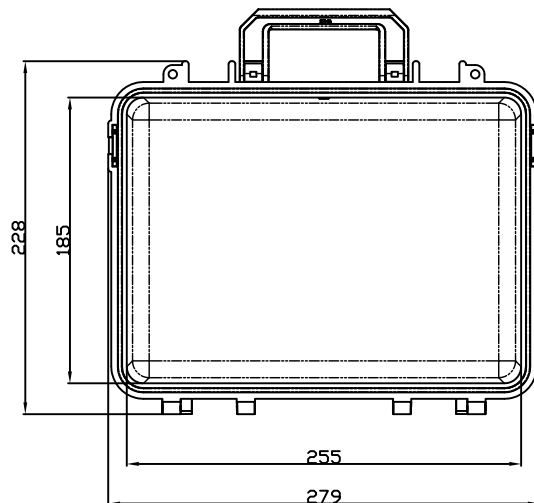
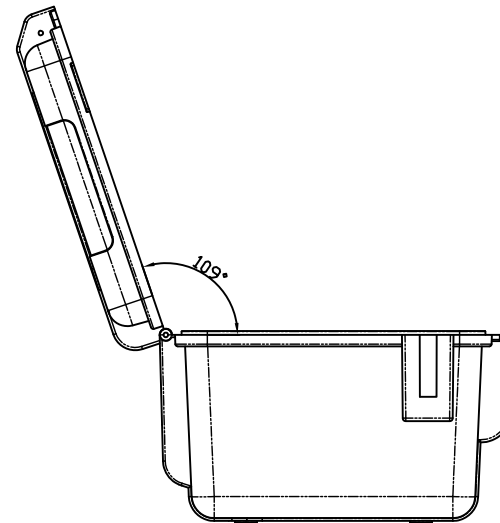
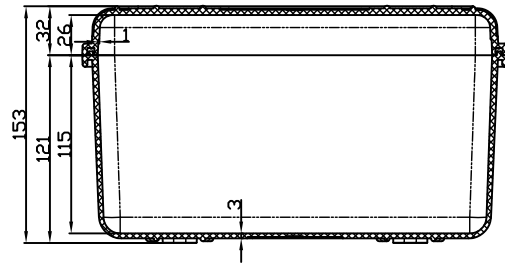



REVISION RECORD				
REV	ECD	DESCRIPTION	DRFT	CHKD



A-A



DETACHED LISTS	MM (INCH)	DFTD	DATE	 EVEREST WWW.EVERESTCASE.COM
	TOLERANCES EXCEPT AS NOTED	CHKD	DATE	
	MM	MFD	DATE	
	INCH	APPVL	DATE	
MATERIAL : ABS		TITLE		EPC011
ANGLES ± 5°		DRAWING NO. EPC011		
THIRD ANGLE PROJECTION		FINISH:		SIZE A4
SCALE : 1:1		SCALE : 1:1		REV
DO NOT SCALE DRAWING			SHEET 1 OF 1	