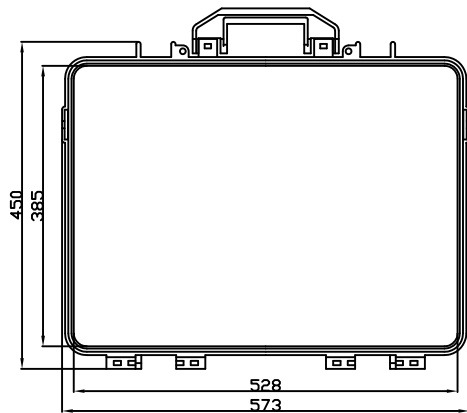
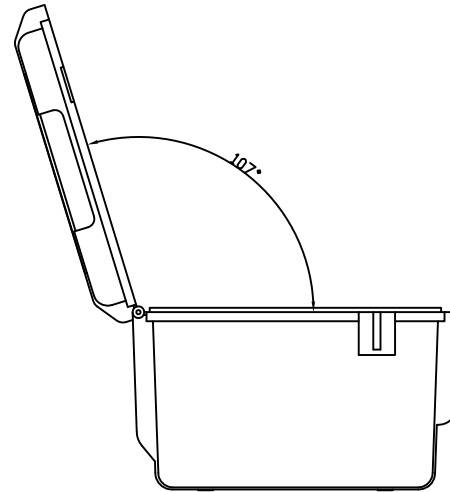
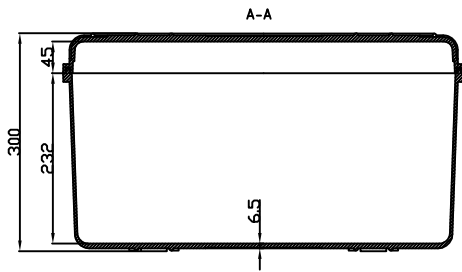
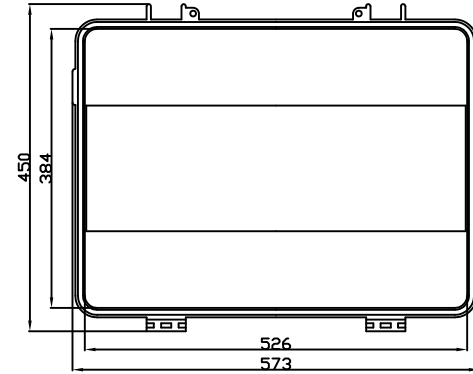
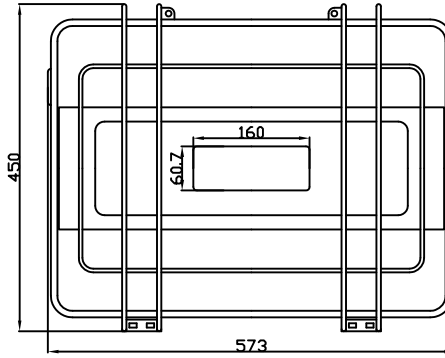
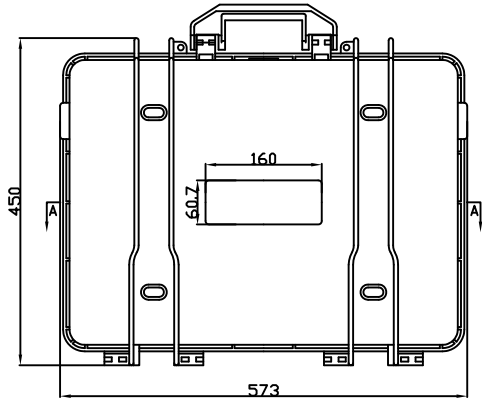




BASIC SIZE	0~3	>3~6	>6~10	>10~18	>18~30	>30~50	>50~80	>80~120	>120~180	>180~250
DIMS TOLERANCE	±0.14	±0.18	±0.22	±0.27	±0.33	±0.39	±0.46	±0.54	±0.63	±0.72



THE MACHINING TOLERANCES		NAME	DATE		<b>DRX.EVEREST</b> WWW.EVERESTCASE.COM
UNSPECIFIED TOLERANCES FOLLOW GB/1804-1992 IT13		DRAWN			
FOAM TOLERANCES	±3mm	ENG APPR		MATERIAL	ABS
THE ANGLE TOLERANCES	±1°	QT'Y : 1		/PART NO	EPC018-2
FIRST ANGLE PROJECTION		SCALE	1:1	UNIT	mm
				DO NOT SCALE DRAWING	SHEET 1 OF 1